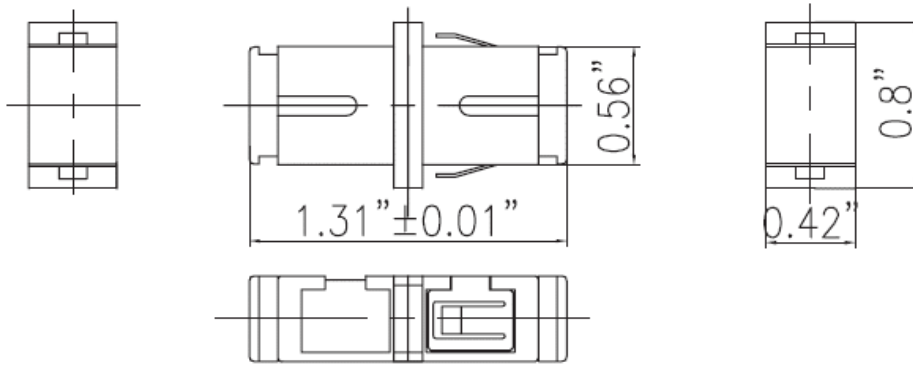
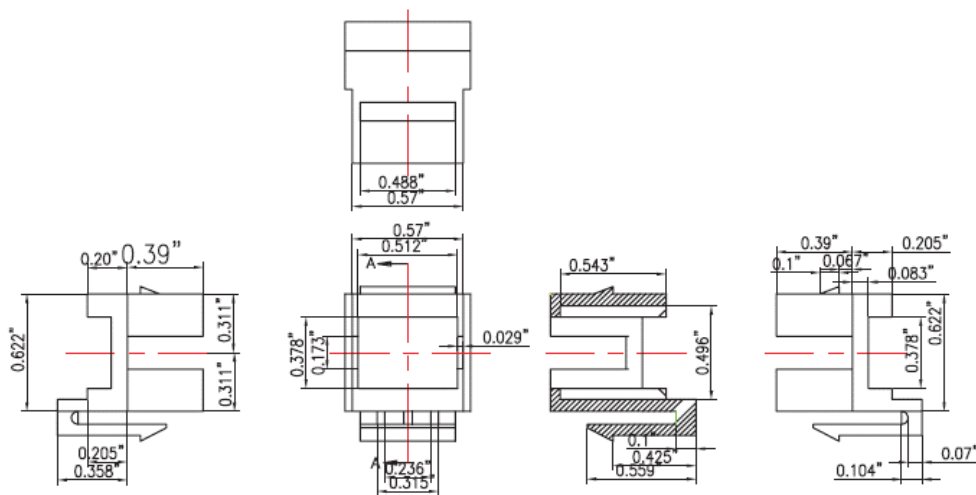


Assembly drawing



SC F/F Adapter



Enclosure square